

Thank you for selecting Casabianca Home and letting us become part of your story.



OFFICE DESK
CB-4723-WALDESK
5296-WAL

Assembly Tips:

- * Assemble this product on soft, scratch-free surface such as a carpet or cardboard to prevent scratching on the product.
- * Sometimes hardware can be found inside drawers or underneath products.
- * Do not discard any of the packaging until you have successfully assembled the product.



DOWNLOAD OUR APP AT
"CASABIANCA HOME
3D EXPERIENCE"



GENTLE WARNING

You will love it so much you'll never want to leave home!

Care Instructions

Casegoods (C): Dust with a soft, dry cloth. All spills should be cleaned up immediately. Use glass cleaners on glass only. DO NOT use any abrasive cleaning supplies.

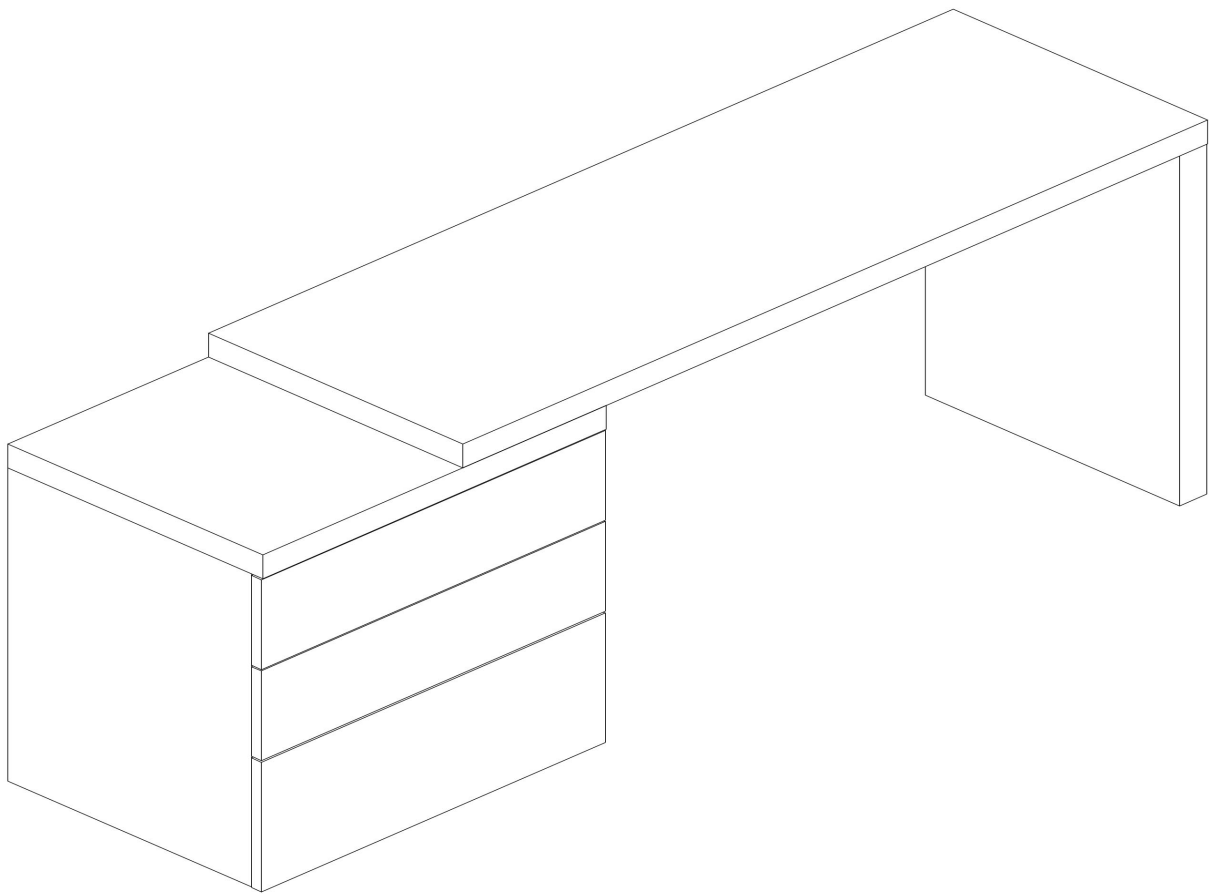
We're here to help.

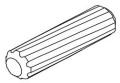
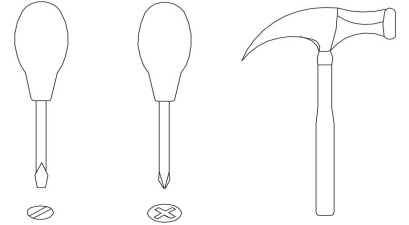
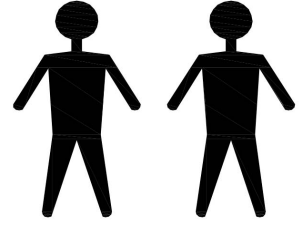
Need a little help with setup or hardware? Simply contact our support team at

support@casabiancafurniture.com

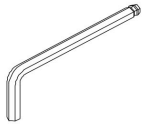
1(800) 652-6344

Mon-Fri 9:00am - 5:00pm EST





A x2
Spec: \varnothing 10*40



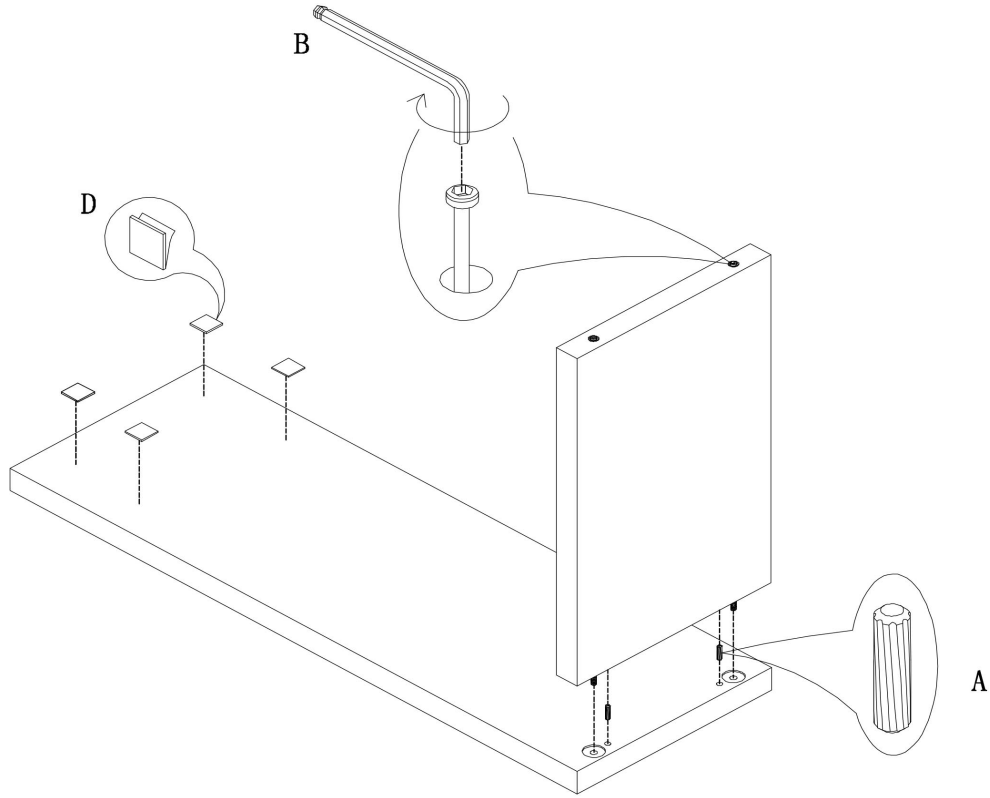
B x1
Spec: 4#



C x1
Spec: 10g



D x4
Spec: 38*38



1

2

